

Lightweight and agile.

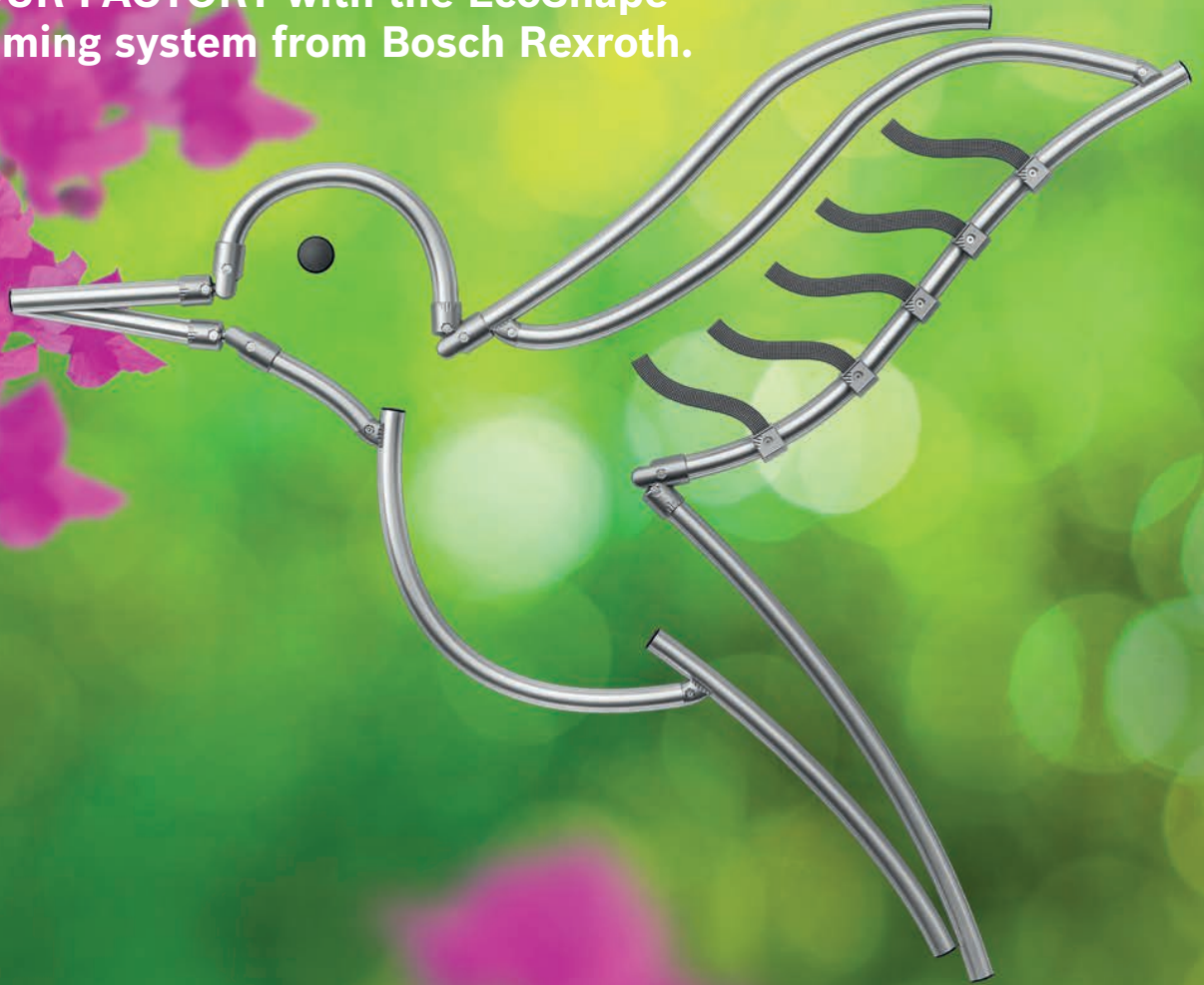
FRAME YOUR FACTORY with the EcoShape
tubular framing system from Bosch Rexroth.

THE ORIGINAL
BOSCH PROFILE

Only from

rexroth

A Bosch Company



Reduce weight by up to 30% compared to similar systems made from steel.

EcoShape combines unrivaled flexibility and versatility with very simple handling. The Poka-Yoke principle of the system ensures straightforward assembly. All components are reusable and recyclable and therefore make a valuable contribution to economic efficiency and sustainability.



www.boschrexroth.com/ecoshape

rexroth
A Bosch Company

FRAME YOUR FACTORY

with the EcoShape tubular framing system from Bosch Rexroth

CHALLENGES

Manufacturing companies are coming under unprecedented pressure to make their production sustainable and future-oriented. Product life cycles are becoming ever shorter and increasingly uncertain.

To ensure sustainable and future-proof production, the first step is to minimize waste as a means of long-term cost reduction. This is achieved by maximizing the efficiency of production processes and subjecting them to ongoing development. At the same time, minimizing the use of materials helps to cut energy consumption and reduce greenhouse emissions.

The objective is clear: Lower investments and sustainable prevention of waste – in all elements of the process.

LEAN PRODUCTION

An important element of lean production is Karakuri, which is the Japanese word for "mechanism". In industrial production and logistics, Karakuri stands for mechanical (low cost) automation. A typical example of Low Cost Automation (LCA) is the use of gravity and leverage. These methods are used in the material feed, for example, to bring cases into the correct position by mechanical means.

Karakuri concepts are developed in collaboration with production associates, thereby making use of their process and workflow expertise.

Only a small number of very simple tools are required for construction and maintenance. The associates are able to maintain the systems themselves and can perform smaller repairs independently and without assistance.

The solutions are usually very simple and, most importantly, can be changed as necessary. Typical applications include:

- ▶ **Workstations**
- ▶ **Flow rack systems**
- ▶ **Material shuttles**



YOUR BENEFITS

Be it material shuttles, flow rack systems or workstations – with the EcoShape tubular framing system, users can plan robust shopfloor solutions both quickly and sustainably.

Poka-Yoke, Kaizen, Low Cost Automation (LCA), Lean Design: Based on the principles for continuous improvement and standardization, EcoShape from Bosch Rexroth provides customers with a modular construction kit for assembling ergonomic workstations and frames – for use in production and logistics.

The EcoShape construction kit allows Karakuri concepts to be developed and implemented directly on-site, with maximum speed and simplicity. The kit is compatible with the broad aluminum profile range from Bosch Rexroth.

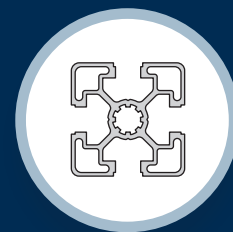
Sturdy and cost-effective



EcoShape provides budget-conscious users with an incredibly simple and quick alternative for building flow racks, material shuttles and workstations.

With the new generation, the stability of the tubular framing system has once again been significantly increased, especially with regard to dynamic load capacity and settlement behavior.

Individually expandable



Applications created with the innovative aluminum tubular framing system can not only be set up and rebuilt quickly – they can also be expanded as required.

Thanks to the integrated 10 mm slot, EcoShape is compatible with the Rexroth aluminum modular profile system.



Quick planning and implementation



With EcoShape, users can plan and create a wide range of applications in a short time and with few components.

The [MTpro](#) planning software also provides support with specific ideas and application models. The range of applications extends from material shuttles and flow racks to workstations and complete assembly islands.

More information and downloads for MTpro can be found here: www.boschrexroth.com/mtpro

Online



Further details, technical data, product specifications and CAD drawings are available online in the Rexroth Store.

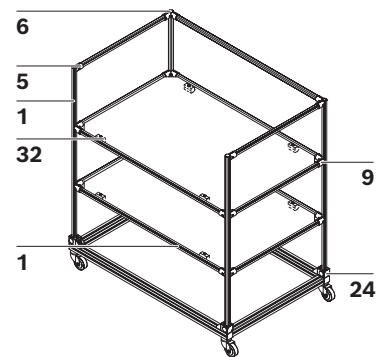
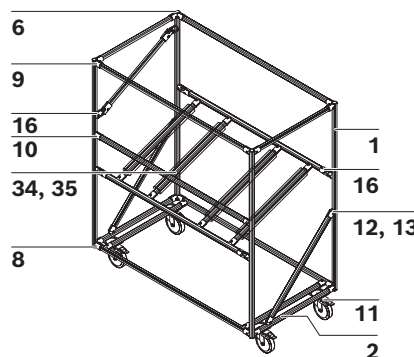
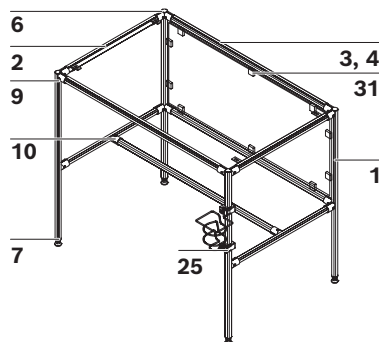
PRODUCT OVERVIEW

Secure connection based on Poka-Yoke principle

The connectors are developed according to the Poka-Yoke principle. Accidental mistakes during assembly are prevented by the design.

- ▶ **Anti-torsion element for secure joints**
- ▶ **Form-fit connection**
- ▶ **High dynamic load capacity**

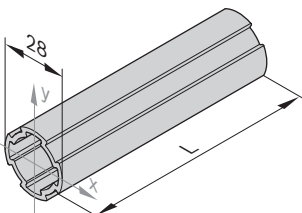
All connectors are suitable for setting up ESD-conductive systems.



| | | | |
|--|---|---|--|
| 1 Round tube D28L  | 2 Round tube D28L, N10  | 3 Slide rail D28L  | 4 Slide rail D28L, SF  |
| 5 Cover cap D28L  | 6 Cover cap D28L, N10  | 7 Threaded sleeve D28L, PA  | 8 Threaded sleeve D28L, M12  |
| 9 90° Connector D28L  | 10 90° Connector D28L, inside  | 11 Parallel connector D28L  | 12 45° Connector D28L  |
| 13 45° Connector D28L, inside  | 14 Strut D28L, 45°  | 15 Cross connector D28L  | 16 0°-90° Connector D28L  |
| 17 0°-90° Connector D28  | 18 Corner bracket D28L  | 19 90° Connector R25, inside  | 20 Swivel bearing D28L  |
| 21 Bushing  | 22 Retaining ring D28L  | 23 Adapter N8, N10  | 24 Adapter N10/45  |
| 25 Adapter N10/30  | 26/1 Adapter mount D28L  26/2 Container mount  | 27 Adapter XLean  | 28 Tube clamp D28L, N10  |
| 29 Hinge D28L/D28L  | 30 Hinge D28L/-  | 31 Variofix block PA  | 32 Variofix block Zn  |
| 33 Mounting bracket D28L  | 34 Impact protection  | 35 Impact protection D28L  | 36 Ring D50  |
| 37 Rubber foot D28  | 38 Stopper D28L, N10  | 39/40 Base plate EcoShape  | 41 Tension wire  |

1

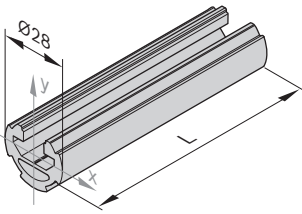

$A = 1,79 \text{ cm}^2$
 $I_x = 1,34 \text{ cm}^4$
 $I_y = 1,34 \text{ cm}^4$
 $W_x = 0,95 \text{ cm}^3$
 $W_y = 0,95 \text{ cm}^3$
 $m = 0,48 \text{ kg/m}$



36996

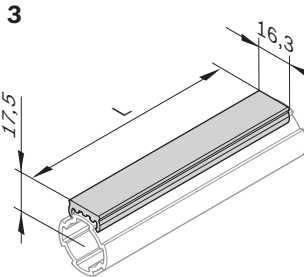
2

$A = 2,59 \text{ cm}^2$
 $I_x = 0,99 \text{ cm}^4$
 $I_y = 1,94 \text{ cm}^4$
 $W_x = 1,36 \text{ cm}^3$
 $W_y = 0,80 \text{ cm}^3$
 $m = 0,67 \text{ kg/m}$

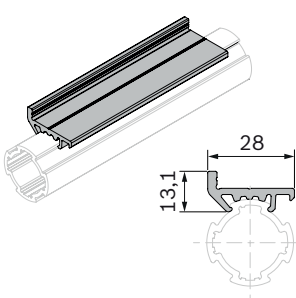
36997

3



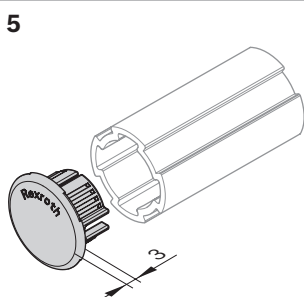
00134987

4

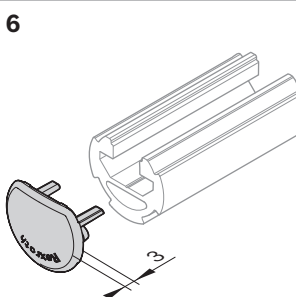
42483

5







24132

6







24133

| Round tube D28L | | L (mm) | No. |
|--|---|---------------|------------------------|
| 1 pc |  | 50 ... 6070 | 3 842 994 291/L |
|  50 pcs |  | 6070 | 3 842 567 384 |
| 1 pc |  | 6070 | 3 842 567 386 |



- ▶ Round tube D28L with 4 interfaces for attaching EcoShape connectors

Material: Aluminum, anodized

| Round tube D28L, N10 | | L (mm) | No. |
|--|---|---------------|------------------------|
| 1 pc |  | 50 ... 6070 | 3 842 994 292/L |
|  20 pcs |  | 6070 | 3 842 567 385 |
| 1 pc |  | 6070 | 3 842 567 387 |



- ▶ Round tube D28L, N10 with 10 mm slot for mounting accessories from the aluminum profile construction kit
- ▶ 3 interfaces for EcoShape connectors

Material: Aluminum, anodized

| Slide rail D28L | L (mm) | ESD |  | No. |
|------------------------|---------------|---|---|----------------------|
| Signal gray | 2000 | | 10 | 3 842 554 750 |
| Black | 2000 |  | 10 | 3 842 548 117 |




- ▶ Slide rail for creating a simple conveyor track or manual slide section by clipping the slide rail onto the round tube D28L or D28L, N10

Material: PVC

| Slide rail D28L SF | L (mm) | ESD |  | No. |
|---------------------------|---------------|---|---|----------------------|
| Signal gray | 2000 | | 10 | 3 842 567 346 |
| Black | 2000 |  | 10 | 3 842 567 347 |

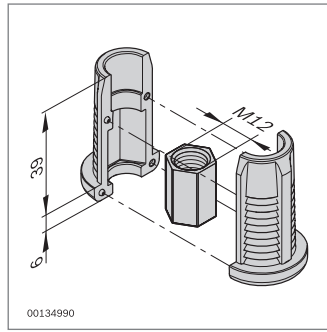
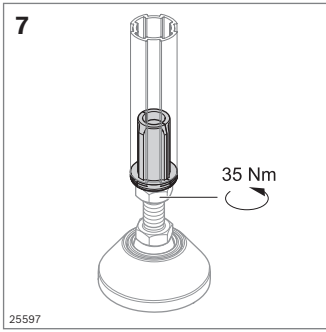
- ▶ Slide rail with lateral guide for creating a simple conveyor track or manual slide section by clipping the slide rail onto the round tube D28L or D28L, N10

Material: PVC

| Cover cap | | ESD |  | No. |
|--------------------|-------------|---|---|----------------------|
| 5 D28L | Signal gray | | 20 | 3 842 554 752 |
| | Black |  | 20 | 3 842 548 129 |
| 6 D28L, N10 | Signal gray | | 20 | 3 842 554 754 |
| | Black |  | 20 | 3 842 548 130 |

- ▶ Cover cap for round tube D28L and D28L, N10

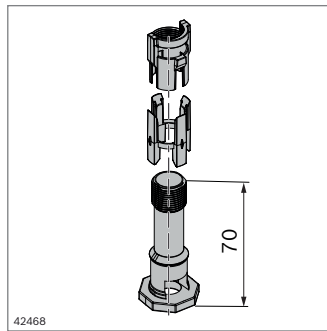
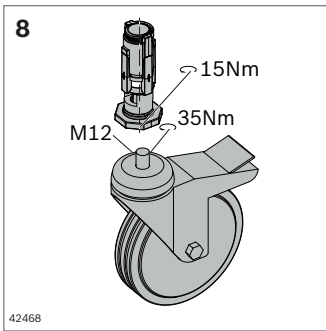
Material: PA6, PA66 (conductive)



| Threaded sleeve D28L, PA | ESD | No. |
|--------------------------|-----|---------------|
| Black | 20 | 3 842 541 185 |

► Threaded sleeve for incorporating a leveling foot or castor wheel.

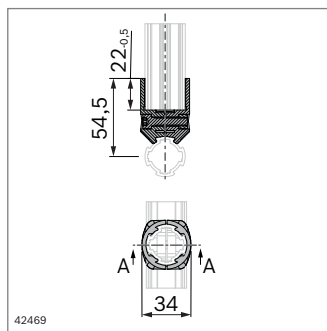
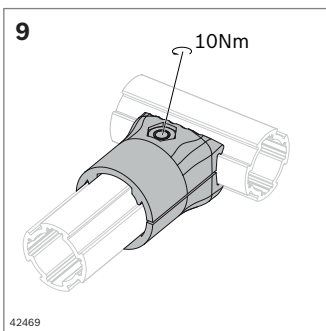
Material: PA66; aluminum hexagon nut



| Threaded sleeve D28L, M12 | ESD | No. |
|---------------------------|-----|---------------|
| | 20 | 3 842 567 349 |

► Threaded sleeve for incorporating a leveling foot or castor wheel for dynamic loads.

Material: Diecast aluminum



| 90° Connector D28L | ESD | No. | FS |
|--------------------|-----|---------------|-----|
| | 20 | 3 842 567 339 | FS1 |

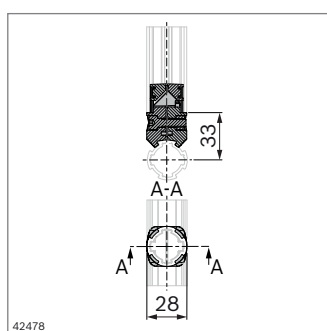
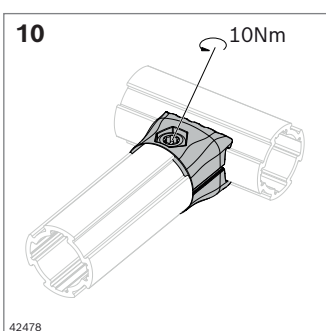
Material: Diecast aluminum

Scope of delivery: Incl. fastening material (FS)

FS1

ISO14579
M6x25

DIN EN
ISO7042
M6



| 90° Connector D28L, inside | ESD | No. | FS |
|----------------------------|-----|---------------|-----|
| | 20 | 3 842 567 341 | FS2 |

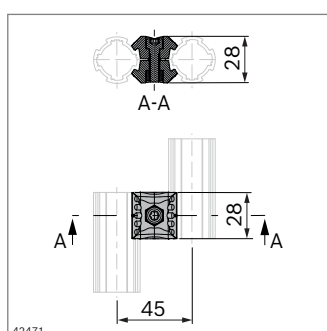
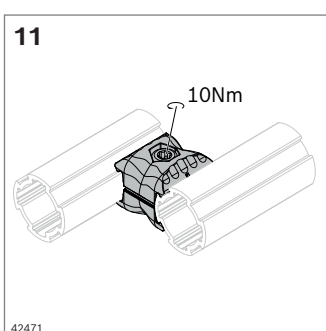
Material: Diecast aluminum

Scope of delivery: Incl. fastening material (FS)

FS2

ISO14579
M6x20

DIN EN
ISO7042
M6



| Parallel Connector D28L | ESD | No. | FS |
|-------------------------|-----|---------------|-----|
| | 20 | 3 842 567 350 | FS2 |

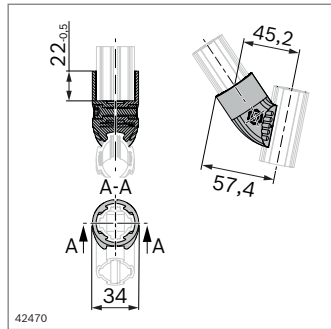
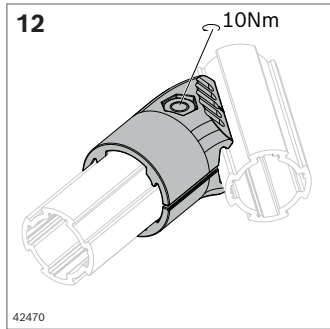
Material: Diecast aluminum

Scope of delivery: Incl. fastening material (FS)

FS2

ISO14579
M6x25

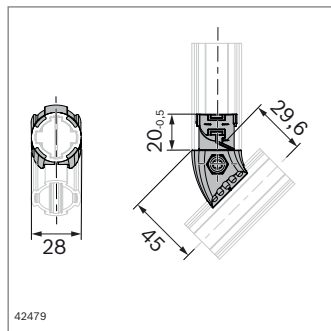
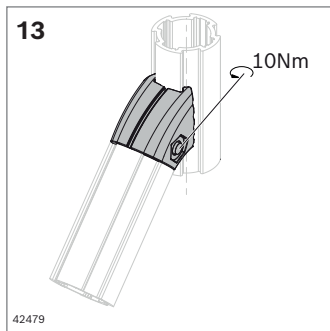
DIN EN
ISO7042
M6



| 45° Connector D28L | ESD | ☒ | No. | FS |
|--------------------|-----|----|---------------|-----|
| | ⚠ | 20 | 3 842 567 340 | FS1 |

Material: Diecast aluminum
 Scope of delivery: Incl. fastening material (FS)

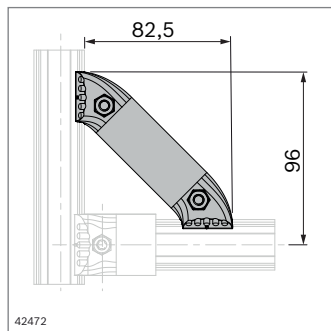
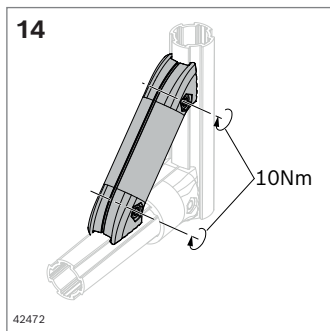
| FS1 |
|-------------------------|
| ISO14579 M6x25 |
| DIN EN ISO7042 M6 |



| 45° Connector D28L, inside | ESD | ☒ | No. | FS |
|----------------------------|-----|----|---------------|-----|
| | ⚠ | 20 | 3 842 567 342 | FS2 |

Material: Diecast aluminum
 Scope of delivery: Incl. fastening material (FS)

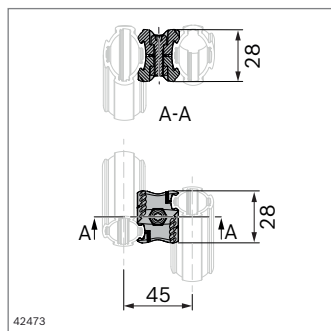
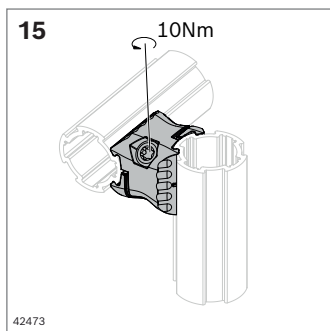
| FS2 |
|-------------------------|
| ISO14579 M6x20 |
| DIN EN ISO7042 M6 |



| Strut D28L, 45° | ESD | ☒ | No. | FS |
|-----------------|-----|----|---------------|-------|
| | ⚠ | 20 | 3 842 567 351 | 2xFS2 |

Material: Diecast aluminum
 Scope of delivery: Incl. fastening material (FS)

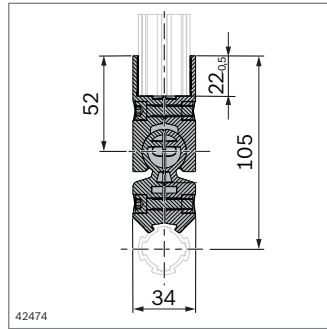
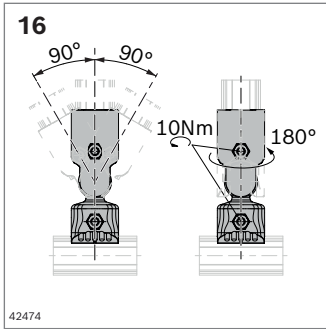
| FS2 |
|-------------------------|
| ISO14579 M6x20 |
| DIN EN ISO7042 M6 |



| Cross connector D28L | ESD | ☒ | No. | FS |
|----------------------|-----|----|---------------|-----|
| | ⚠ | 20 | 3 842 567 352 | FS2 |

Material: Diecast aluminum
 Scope of delivery: Incl. fastening material (FS)

| FS2 |
|-------------------------|
| ISO14579 M6x20 |
| DIN EN ISO7042 M6 |



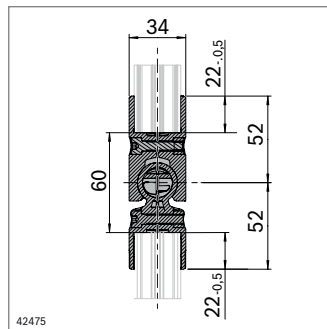
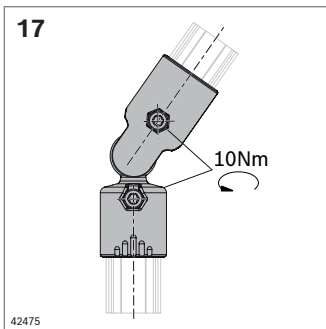
| 0°-90° Connector D28L | ESD | No. | FS |
|-----------------------|-----|---------------|-------|
| | 20 | 3 842 567 353 | 2xFS1 |

Material: Diecast aluminum

Scope of delivery: Incl. fastening material (FS)

FS1

| | |
|----------|---------|
| ISO14579 | M6x25 |
| DIN EN | ISO7042 |
| M6 | |



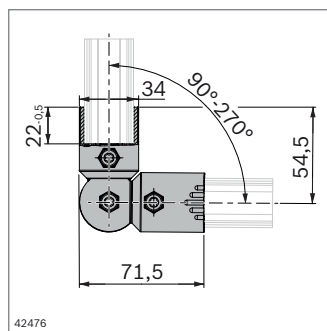
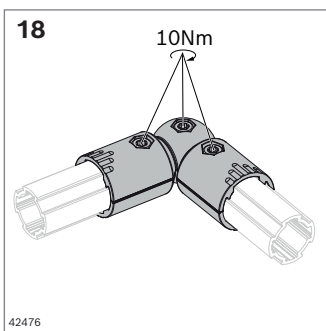
| 0°-90° Connector D28 | ESD | No. | FS |
|----------------------|-----|---------------|-------|
| | 20 | 3 842 543 480 | 2xFS1 |

Material: Diecast zinc

Scope of delivery: Incl. fastening material (FS)

FS1

| | |
|----------|---------|
| ISO14579 | M6x25 |
| DIN EN | ISO7042 |
| M6 | |



| 90°-270° Corner bracket D28L | ESD | No. | FS |
|------------------------------|-----|---------------|-------|
| | 20 | 3 842 567 355 | 3xFS1 |

► Corner bracket D28L for easy adjustment within a 15° range

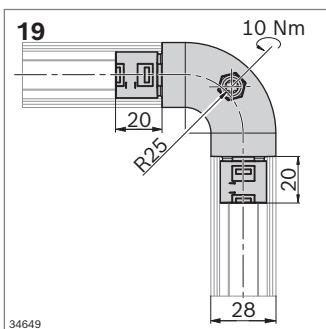
► Swivel range: 90°-270°

Material: Diecast aluminum

Scope of delivery: Incl. fastening material (FS)

FS1

| | |
|----------|---------|
| ISO14579 | M6x25 |
| DIN EN | ISO7042 |
| M6 | |



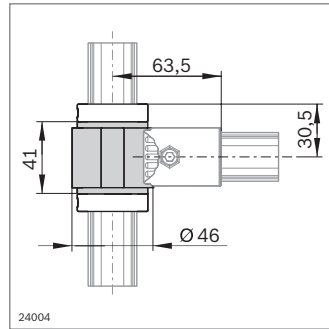
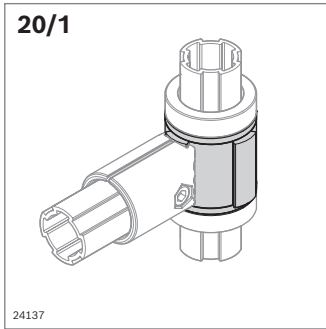
| 90° Connector R25, inside | No. | FS |
|---------------------------|-----|-------------------|
| | 20 | 3 842 567 381 FS2 |

Material: Diecast aluminum

Scope of delivery: Incl. fastening material (FS)

FS2

| | |
|----------|---------|
| ISO14579 | M6x20 |
| DIN EN | ISO7042 |
| M6 | |



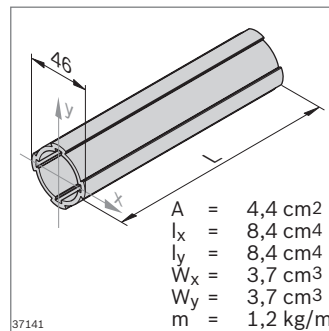
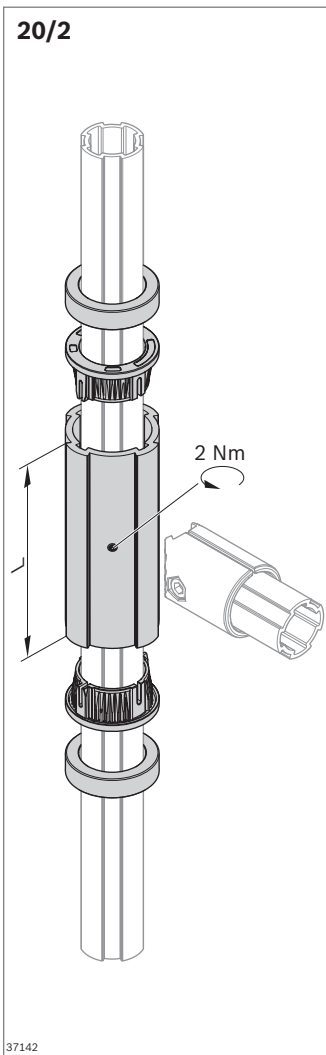
| Swivel bearing D28L | L (mm) | ESD | No. |
|---------------------|--------|-----|---------------|
| | 34 | 20 | 3 842 548 121 |

- For axial shifting along the round tube D28L or D28L, N10. End position defined via retaining ring
- Construction of swiveling applications
- Additional thread for flexible bracket adjustment

Required accessories: Retaining ring D28L

Material: Aluminum swivel bearing

Scope of delivery: Swivel bearing D28L, L = 34 mm; bushing D28 (17), headless setscrew ISO 4026 M4x10

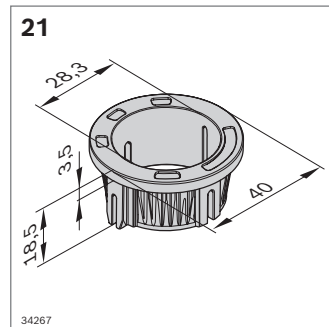


| Swivel bearing D28L | L (mm) | ESD | No. |
|---------------------|--------|-----|---------------|
| | 1000 | 2 | 3 842 557 298 |

For self-assembly:

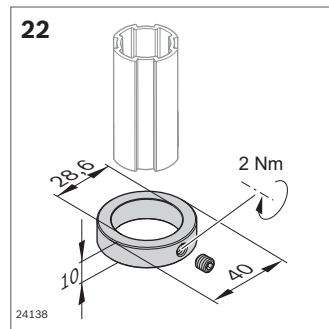
- Swivel bearing D28L with L = 1000 mm, can be cut to length

Material: Aluminum



| Bushing D28 | ESD | No. |
|-------------|-----|---------------|
| Black | 4 | 3 842 557 299 |

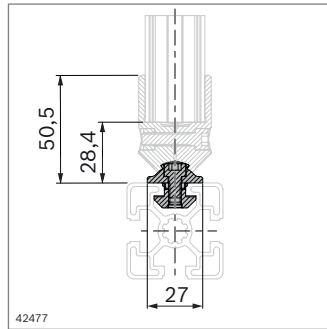
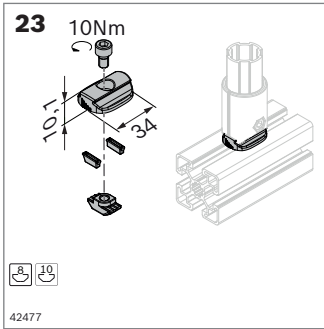
Material: POM



| Retaining ring D28L | ESD | No. |
|---------------------|-----|---------------|
| | 4 | 3 842 548 122 |

Material: Aluminum

Scope of delivery: Retaining ring incl. headless setscrew DIN 913 M6x6

**Adapter N8, N10**

ESD



No.

FS



20

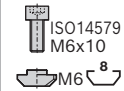
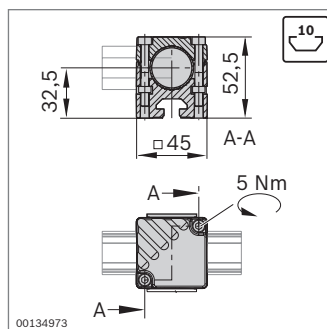
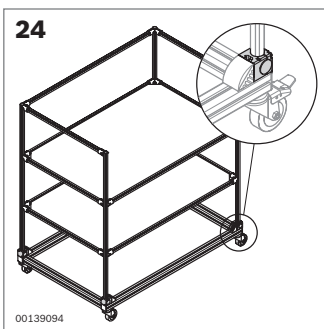
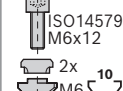
3 842 567 354

FS4, FS5

- ▶ Adapter N8, N10 for connection to a Rexroth strut profile (8 mm slot, 10 mm slot)

Material: Diecast zinc

Scope of delivery: Incl. fastening material (FS)

FS4**FS5****Adapter N10/45**

ESD



No.

FS



20

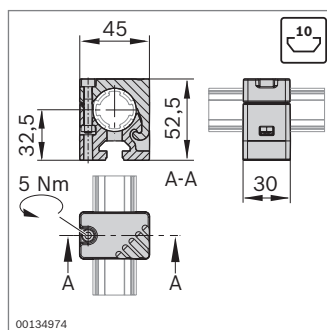
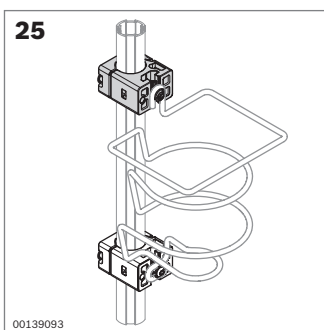
3 842 541 187

2xFS3

- ▶ Adapter N10/45 for connecting round tube D28L or D28L, N10 to a profile with 10 mm slot

Material: Diecast zinc adapter, PE cover cap

Scope of delivery: Incl. cover cap, fastening material (FS)

FS3**Adapter N10/30**

ESD



No.

FS



20

3 842 541 190

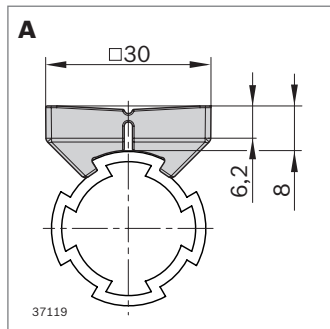
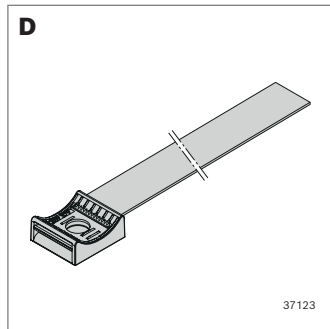
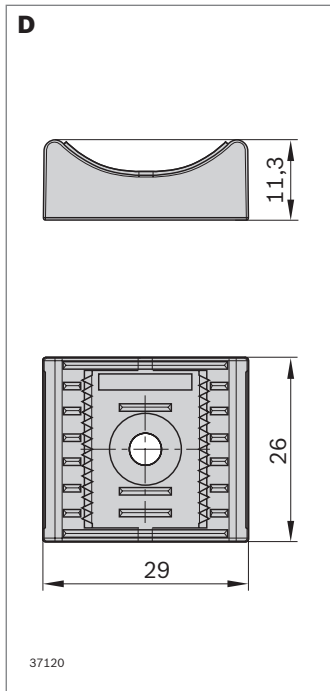
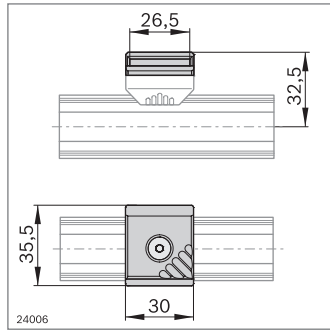
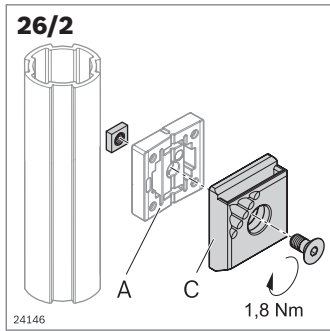
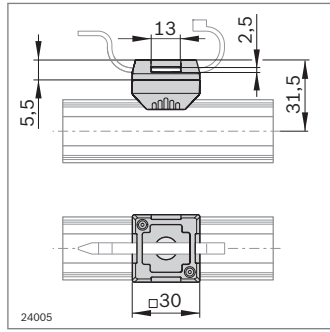
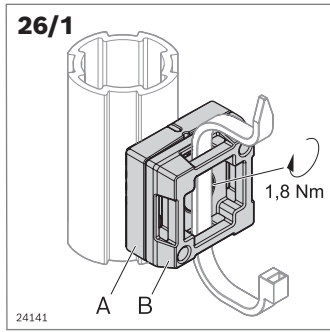
FS6

- ▶ Adapter N10/30 for fastening light accessories, such as a bottle holder to a round tube D28L

Material: Diecast zinc

Scope of delivery: Incl. fastening material (FS)

FS6

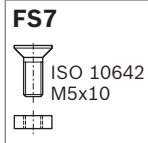


| Adapter mount D28L | ESD | No. | FS |
|--------------------|-----|---------------|-----|
| A + B; black | 20 | 3 842 548 120 | FS7 |

► For attaching cable ties

Material: PA66

Scope of delivery: Incl. fastening material (FS)

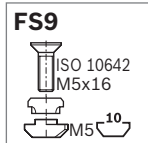
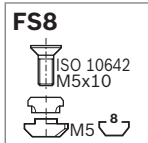


| Container mount | ESD | No. | FS |
|-----------------|-----|---------------|----------|
| C; black | 10 | 3 842 544 797 | FS8, FS9 |

► For attaching containers using the container mount

Material: PA66

Scope of delivery: Incl. fastening material (FS)

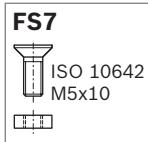


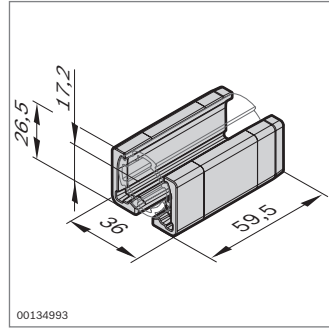
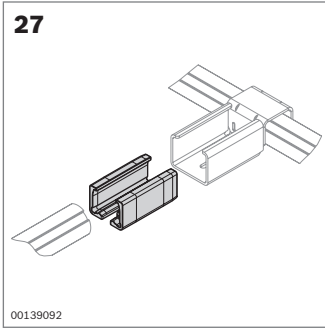
| Cable bracket + adapter | ESD | No. | FS |
|----------------------------------|-----|---------------|-----|
| D Loop flat cable bracket; black | 10 | 3 842 559 380 | |
| A Adapter D28L; black | 10 | 3 842 562 115 | FS7 |

- Loop flat cable bracket (D) for direct assembly on panel element or table top
- Can be mounted on adapter D28L (A) for attachment to EcoShape profiles
- Can be used with M4 and M5 screws
- Adapter for attaching loop flat cable holder to EcoShape profiles
- Adapter D28L (A) for fastening of container mount

Material: Cable bracket PP, UL certified; velcro strap PP, PPA (velour), UL certified; adapter PA; steel mounting kit, galvanized

Scope of delivery: Adapter incl. fastening material (FS)

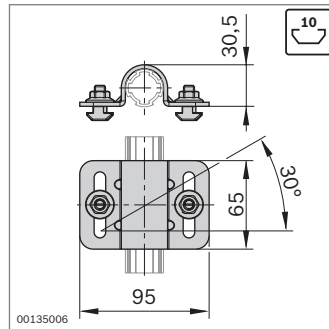
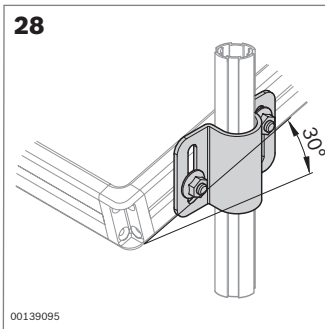




| Adapter XLean | ESD | No. |
|---------------|-----|---------------|
| Black | 20 | 3 842 541 296 |

- ▶ Adapter XLean for combination with XLean. The adapter XLean connects the round tube D28L to the rail holder XLean

Material: PA66

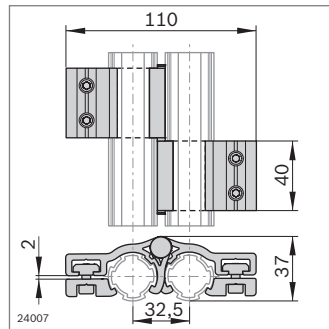
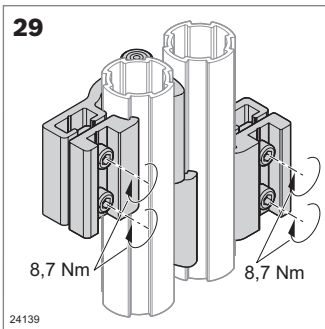
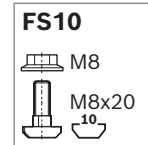


| Tube clamp D28L, N10 | ESD | No. | FS |
|----------------------|-----|---------------|--------|
| | 20 | 3 842 541 193 | 2xFS10 |

- ▶ Tube clamp D28L, N10 for fastening material shelves with 10 mm slot to the round tube D28L Oblique positioning up to 30° possible

Material: Steel, galvanized

Scope of delivery: Incl. fastening material (FS)

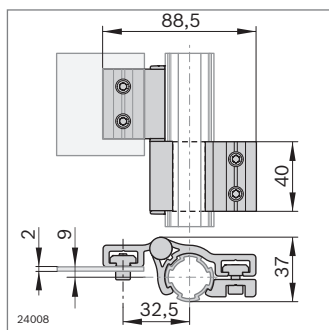
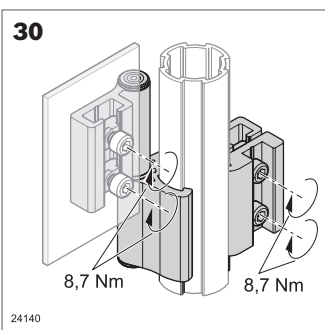
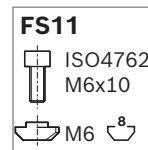


| Hinge D28L/D28L | ESD | No. | FS |
|-----------------|-----|---------------|--------------|
| | 2 | 3 842 548 126 | 4xFS11, FS12 |

- ▶ Opening angle: 180°
- ▶ For mounting round tube D28L

Material: Aluminum

Scope of delivery: Incl. fastening material (FS)

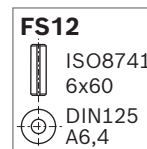
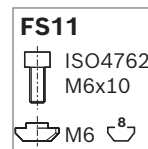


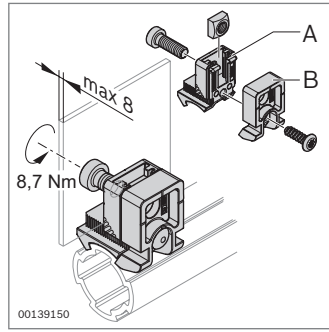
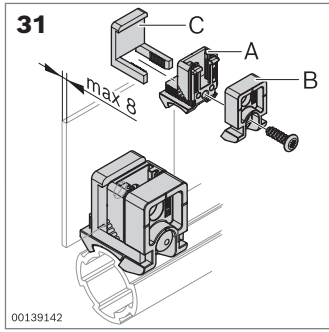
| Hinge D28L/- | ESD | No. | FS |
|--------------|-----|---------------|--------------|
| | 2 | 3 842 548 127 | 2xFS11, FS12 |

- ▶ Opening angle: 180°
- ▶ For mounting panel elements

Material: Aluminum

Scope of delivery: Incl. fastening material (FS)



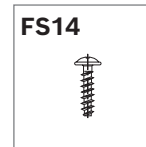
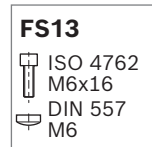


| Variofix block PA | ESD | No. | FS |
|-------------------|-----|------------------|------------|
| Black | | 20 3 842 543 311 | FS13, FS14 |

- ▶ Plastic Variofix block for fastening panel elements with a snap-in clip or screw
- ▶ Variofix remover for releasing the snap-in clip

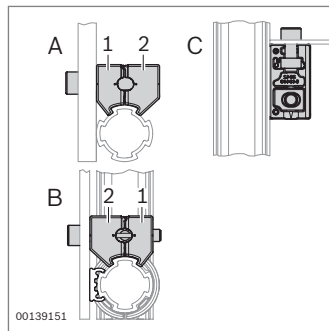
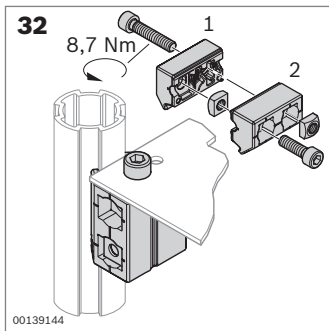
Material: PA66

Scope of delivery: Incl. fastening material (FS)



| Snap-in clip | ESD | No. |
|--------------|-----|------------------|
| Transparent | | 10 3 842 184 738 |

Material: PA6

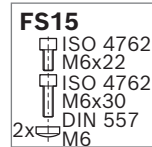


| Variofix block Zn | ESD | No. | FS |
|-------------------|-----|------------------|------|
| | | 20 3 842 543 494 | FS15 |

- ▶ Diecast zinc Variofix block for fastening panel elements
- ▶ Three arrangements possible ("A", "B", "C")

Material: Diecast zinc

Scope of delivery: Incl. fastening material (FS)

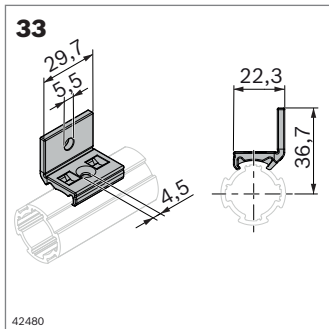


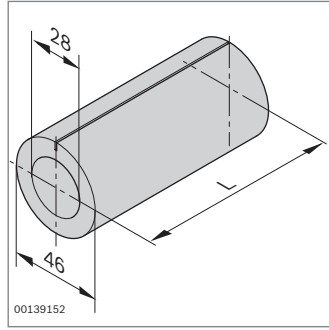
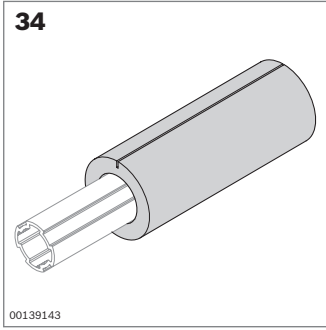
| Mounting bracket D28L | ESD | No. | FS |
|-----------------------|-----|------------------|----|
| Black | | 10 3 842 567 368 | |

- ▶ Diecast zinc mounting bracket D28L for fastening panel elements
- ▶ Recommended for ESD applications: Countersunk self-tapping screw ISO 15482-ST4, 2x13

Material: PA66

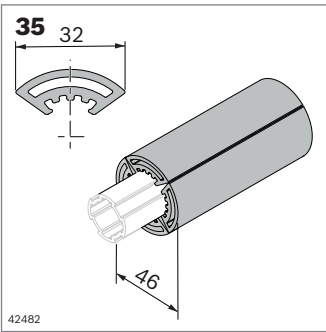
Scope of delivery: Incl. fastening material (FS)





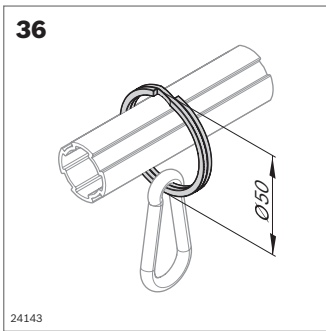
| Impact protection | L (mm) | | No. |
|-------------------|--------|----|----------------------|
| Gray | 2000 | 10 | 3 842 544 637 |

Material: PE-LD



| Impact protection D28L | L (mm) | | ESD | No. |
|------------------------|--------|----|-----|----------------------|
| Signal gray | 2000 | 10 | | 3 842 567 344 |
| Black | 2000 | 10 | ⚡ | 3 842 567 345 |

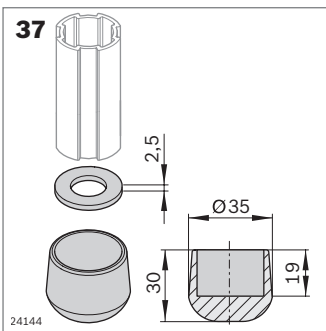
Material: TPV, TPE (conductive)



| Ring + spring hook | | No. |
|--------------------|----|----------------------|
| Ring D50 | 20 | 3 842 548 131 |
| Spring hook | 1 | 0 842 901 309 |

► For designing simple tool holders

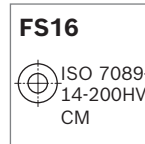
Material: Steel ring, nickel-plated; steel spring hook, galvanized

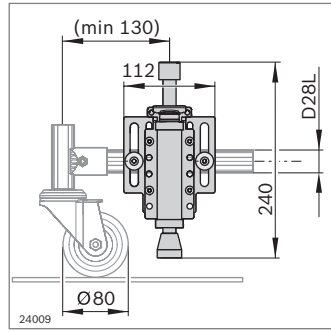
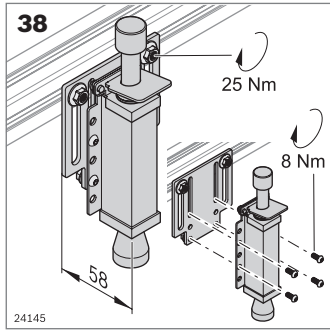


| Rubber foot D28 | ESD | | No. | FS |
|-----------------|-----|----|----------------------|------|
| Black | ⚡ | 20 | 3 842 548 128 | FS16 |

► Non-slip design of flow racks and stands

Material: NR/SBR



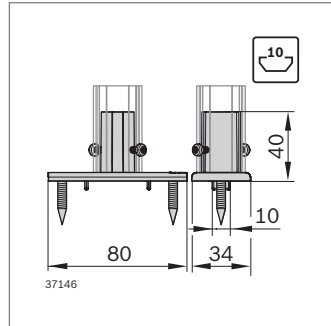
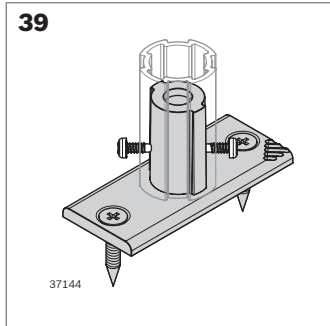


| Stopper D28L, N10 | No. | FS |
|-------------------|---------------|----------------|
| | 3 842 548 132 | 4xFS16, 2xFS18 |

- ▶ For stopping material shuttles ergonomically at just one point
- ▶ Universal attachment to different round tubes and profile cross-sections
- ▶ Stopper tension path: 34 mm

Material: Stainless steel stopper: EPDM; aluminum attachment plate

Scope of delivery: Incl. fastening material (FS)



| Base plate D28L | ESD | No. | FS |
|-----------------|-----|---------------|--------|
| | 10 | 3 842 559 346 | 2xFS19 |

- ▶ Base plate for fastening frames directly onto walls, floors, table tops and strut profiles with 10 mm slot via EcoShape round tubes
- ▶ No additional connector required
- ▶ Centering lugs as anti-torsion elements (can be broken off)
- ▶ Reference load for profile installation: 15 Nm admissible in lengthwise and crosswise direction. Load values for installation on other surfaces dependent on material

Material: Diecast zinc

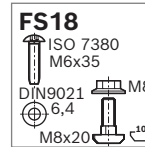
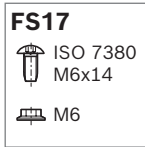
Scope of delivery: Incl. fastening material (FS)

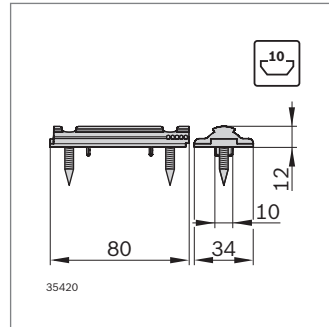
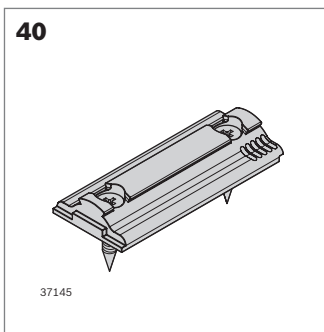
Recommended accessories for profile installation:

Countersunk screw ISO 10642 M5x16-8.8;

T-nut (3 842 530 283)

Optional accessories: Self-tapping screw (3 842 552 267)





| Base plate EcoShape | ESD | No. | FS |
|---------------------|-----|---------------|--------|
| | 10 | 3 842 559 345 | 2xFS19 |

- ▶ Base plate for fastening frames onto walls, floors, table tops and strut profiles with 10 mm slot using EcoShape connectors
- ▶ Centering lugs as anti-torsion elements (can be broken off)
- ▶ Reference load for profile installation: 15 Nm admissible in lengthwise and crosswise direction. Load values for installation on other surfaces dependent on material

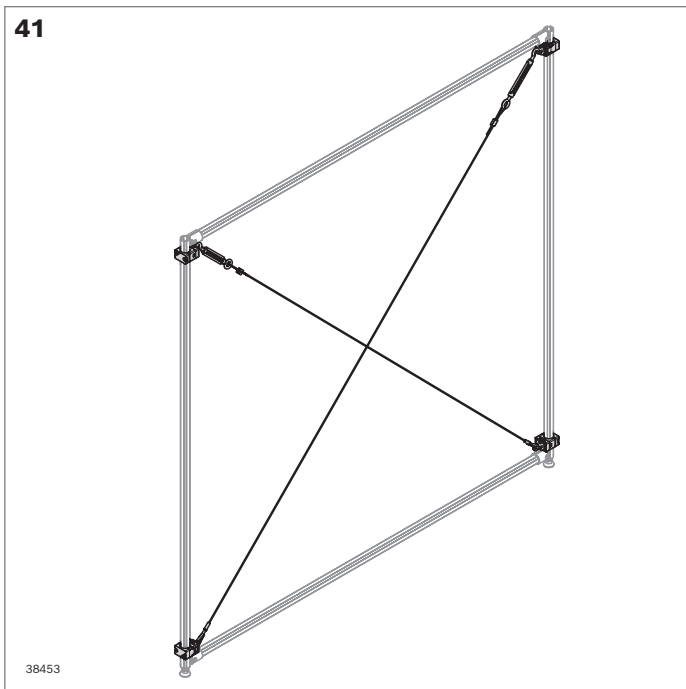
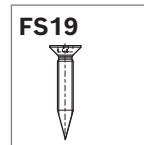
Material: Diecast zinc

Scope of delivery: Incl. fastening material (FS)

Recommended accessories for profile installation:

Countersunk screw ISO 10642 M5x16-8.8;

T-nut (**3 842 530 283**)

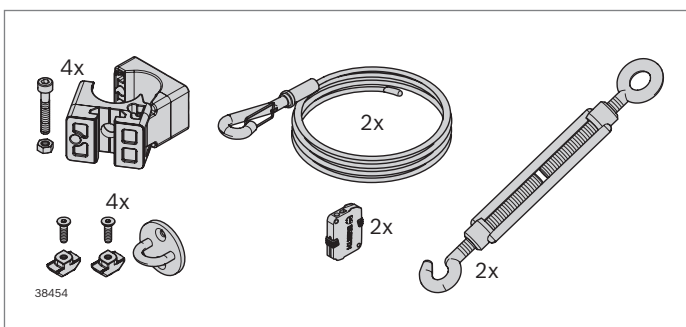


| Tension wire | L (mm) | ESD | No. |
|--------------|--------|-----|---------------|
| | 3000 | 2 | 3 842 562 083 |

- ▶ Reinforcement option for EcoShape applications
- ▶ Max. tensioning force 500 N

Material: Stainless steel eye, tension lock; steel wire, galvanized

Scope of delivery: Incl. fastening material for fastening to round tube D28L





IT'S ALL ABOUT THE SERVICE

Long service life and rapid response.

Our goal is for you to benefit from your Bosch Rexroth solutions for as long and efficiently as possible. The availability of spare parts, repairs and technical support is not only guaranteed as standard for all products in our current portfolio, but also for a period of up to ten years beyond the active sales phase. Thereafter, we offer further support during an extended service phase. In many cases, this enables machine running times of more than 25 years, which are also secured through service agreements.

Our extensive service network comprising over 200 locations in 80 countries ensures a rapid response at all times.

Original quality for maximum durability.

The Bosch Rexroth repair service analyzes, repairs and optimizes Bosch Rexroth components in guaranteed OEM quality. We use only new, original spare parts for repairs. As a result, the average lifespan of our repaired products is 5 times longer than with other workshops. In addition, our scalable material warranty can be extended up to 60 months.

You simply inform us about the urgency of the repair and provide the product type or serial number. You can then choose between a repair, REMAN or replacement service.

Immediate assistance at the press of a button.

In the event of a malfunction, you require help in a hurry. Our Digital Service Assistant (DSA) puts the solution in your hands. Open the DSA on your mobile device to gain easy, 24/7 access to our entire range of services. The app is available in your local language and allows you to identify the relevant product via a code scanner. You can also request services, such as a repair, using the app. You will then receive a non-binding offer within one hour (7 a.m. to 5 p.m. CET). The collect and delivery service is available free of charge for components weighing up to 40 kg.

24/7 emergency support.

We know our technologies inside out. That is why we find the right solution as quickly as possible. Our repair service and hotline are available to you round the clock. They offer free technical support – from initial troubleshooting to dispatching a service specialist. You have the choice between standard, priority or emergency rush repair service.

Predictive.

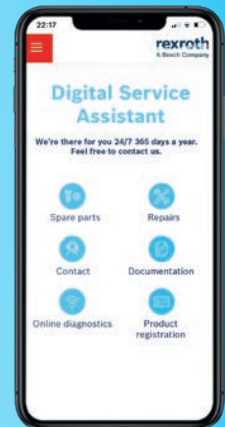
To ensure that you can act instead of react, we offer you predictive services, such as preventive maintenance based on the product-specific history. And not just for our current product range: We have all global repair and delivery data to hand so that your system can continue to perform at its best, year after year. We support you by:

- ▶ Analyzing product availability
- ▶ Defining the best time for preventive maintenance
- ▶ And much more besides

TOGETHER WE WILL FIND THE PERFECT SOLUTION FOR YOU

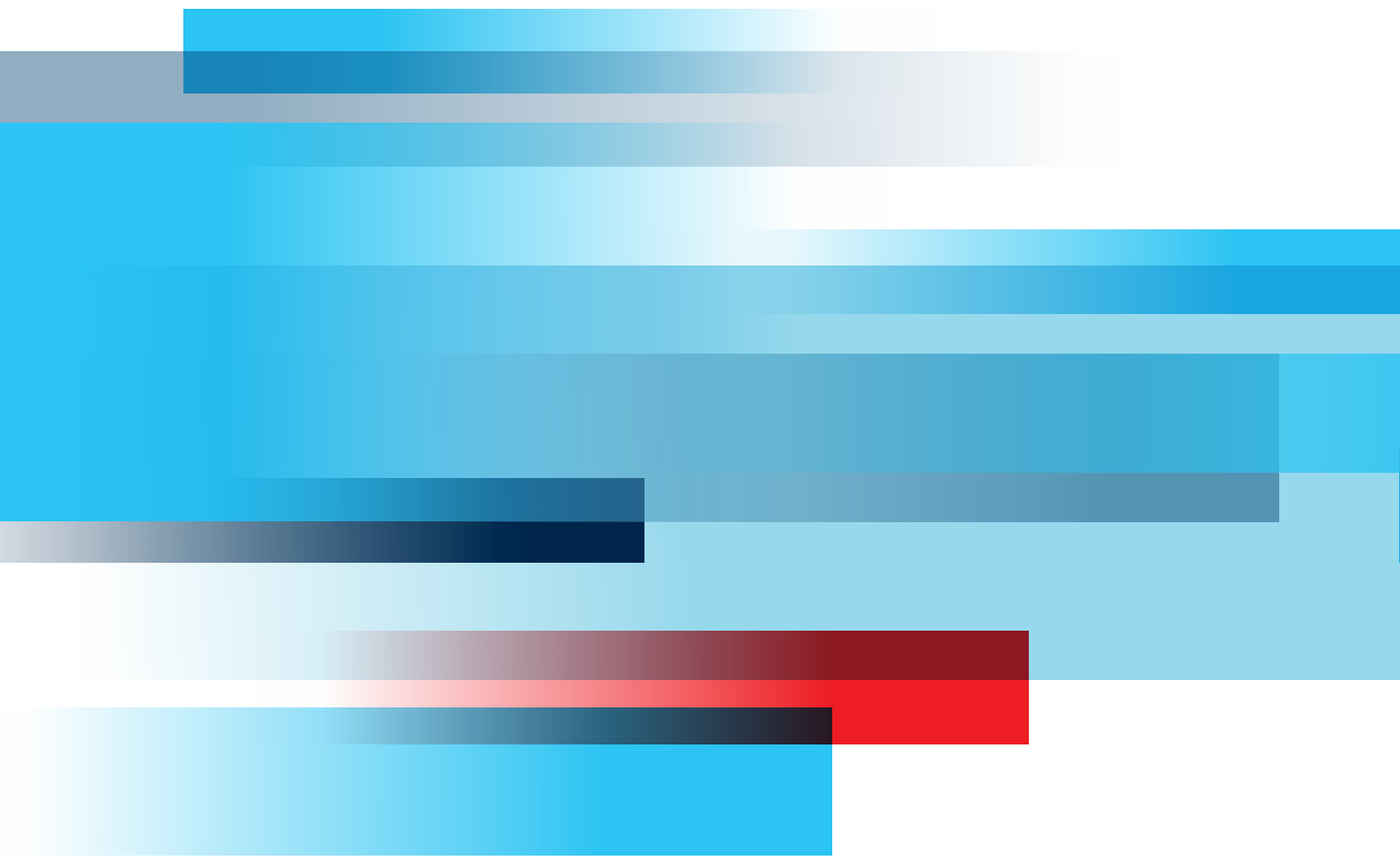
- ▶ **Repair of the faulty product, according to manufacturer specifications**
- ▶ **Replacement: Where available, you replace the faulty product with a refurbished original with full manufacturer warranty. This service also helps to protect resources and reduces costs.**

Download today



Contact our 24/7 service hotline

+49 93 52 40 50 60
 service.AT@boschrexroth.de



The data specified within only serve to describe the product. As our products are constantly being further developed, no statements concerning a certain condition or suitability for a certain application can be derived from our information. The information given does not release the user from the obligation of own judgment and verification. It must be remembered that our products are subject to a natural process of wear and aging.

R999002327 (2024-01)

© Bosch Rexroth AG 2024

Subject to change without notice!

Bosch Rexroth AG

Postfach 30 02 07

70442 Stuttgart

Germany

www.boschrexroth.com

rexroth
A Bosch Company